

KOHLER®

Barrington™ Two-piece elongated 1.0 gpf toilet, less seat K-3652-SS

Features

- Vitreous china.
- Elongated bowl offers added room and comfort.
- Equipped with Sloan FLUSHMATE® – Sloan® Valve Company.
- Polished Chrome trip lever.
- Rear outlet.
- 12" (305 mm) x 10" (254 mm) water area.
- 4" (102 mm) rough-in.
- 1.0 gpf (3.8 lpf).
- Antimicrobial finish inhibits the growth of mold-, mildew-, stain-, and odor-causing bacteria on the fixture surface. This product does not protect users against bacteria, viruses, or other disease organisms. Always clean and wash this product thoroughly before and after each use.



Installation

- Seat and supply line sold separately.

Included Components

Product consists of:

K-4327 Elongated bowl, less seat

K-4484 Toilet tank, 1.0 gpf

Additional Components:

Bolt cap accessory pack

Equipped with Sloan FLUSHMATE® – Sloan® Valve Company

Floor screws and bolt caps

Tank accessory pack

Tank cover

Trip lever



Codes/Standards

ASME A112.19.2/CSA B45.1

DOE - Energy Policy Act 1992

EPA WaterSense®

California Energy Commission (CEC)


KOHLER® One-Year Limited Warranty

See website for detailed warranty information.

Available Colors/Finishes

Color tiles intended for reference only.

| Color | Code | Description |
|-------|------|-------------|
|-------|------|-------------|

| | | |
|---|---|-------|
|  | 0 | White |
|---|---|-------|

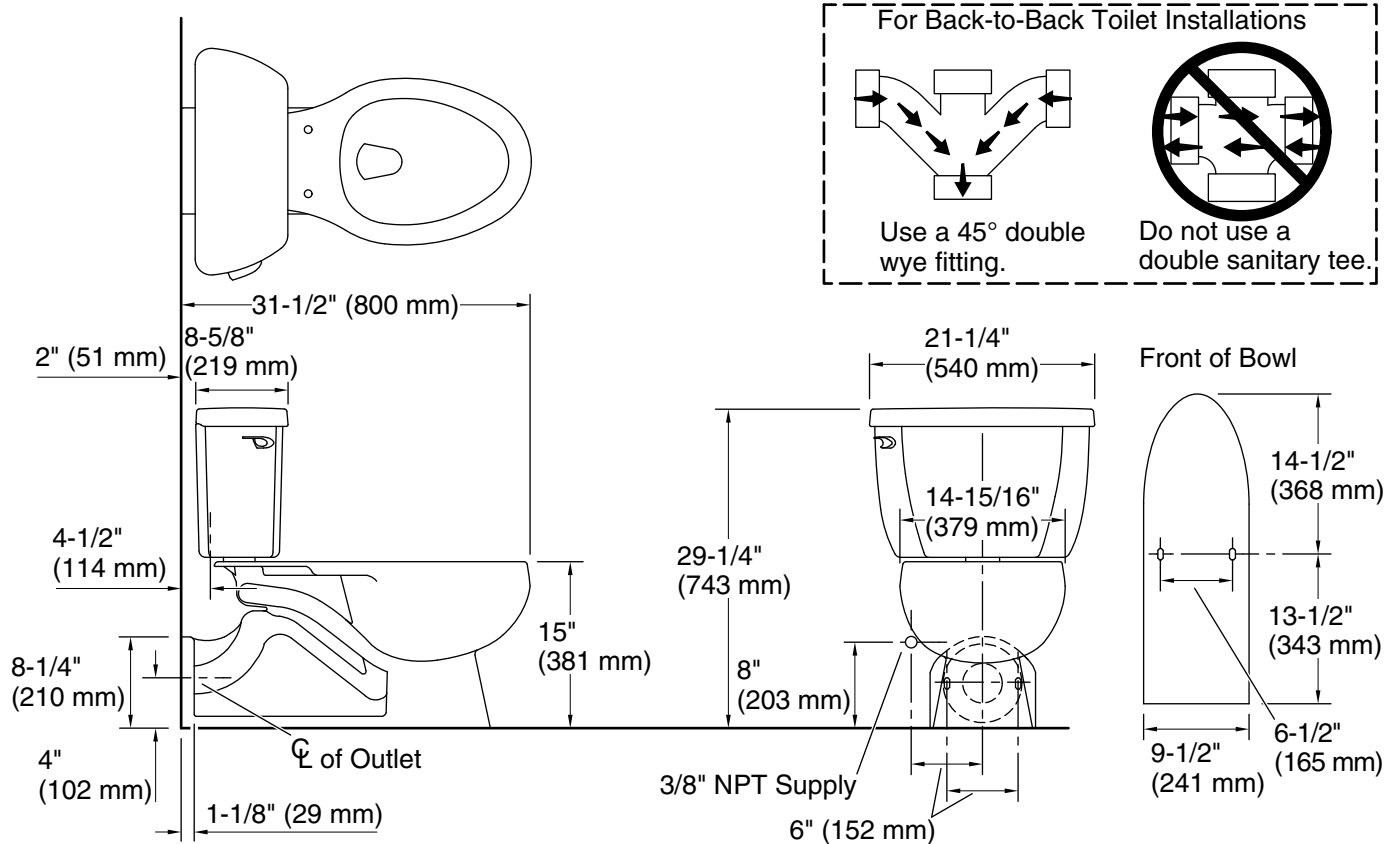
1-800-4KOHLER (1-800-456-4537)

Kohler Co. reserves the right to make revisions without notice to product specifications.

For the most current Specification Sheet, go to www.kohler.com.

5-29-2021 18:34 - US/CA

THE BOLD LOOK
OF **KOHLER**®



Technical Information

All product dimensions are nominal.

| | |
|-----------------------|-----------------------------|
| Toilet type: | Two-piece, Floor-mount |
| Waste Outlet: | Wall |
| Bowl shape: | Elongated |
| Flush type: | Pressure Assisted |
| Trap passageway: | 2-1/4" (57 mm) |
| Water Consumption | |
| Full: | 1 gpf (3.8 lpf) |
| Water surface size: | 12" x 10" (305 mm x 254 mm) |
| Rim to water surface: | 7" (178 mm) |
| Rough-in: | 4" (102 mm) |
| Seat-mounting holes: | 5-1/2" (140 mm) |

Fixture Supply Requirements

| | |
|----------------------|--------------------|
| Min static pressure: | 35 psi (241.3 kPa) |
| Max static pressure: | 80 psi (551.6 kPa) |

Notes

Install this product according to the installation instructions.

For back-to-back toilet installations: Use only a 45° double wye fitting.